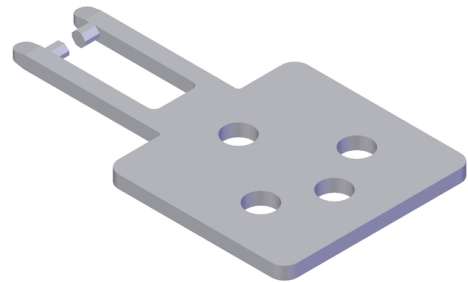


## BETAETIGER-M-G (Order no. 074076)

### Actuator for safety switch NM.VZ

- ▶ Actuator made of stainless steel
- ▶ Two stainless-steel safety screws per actuator



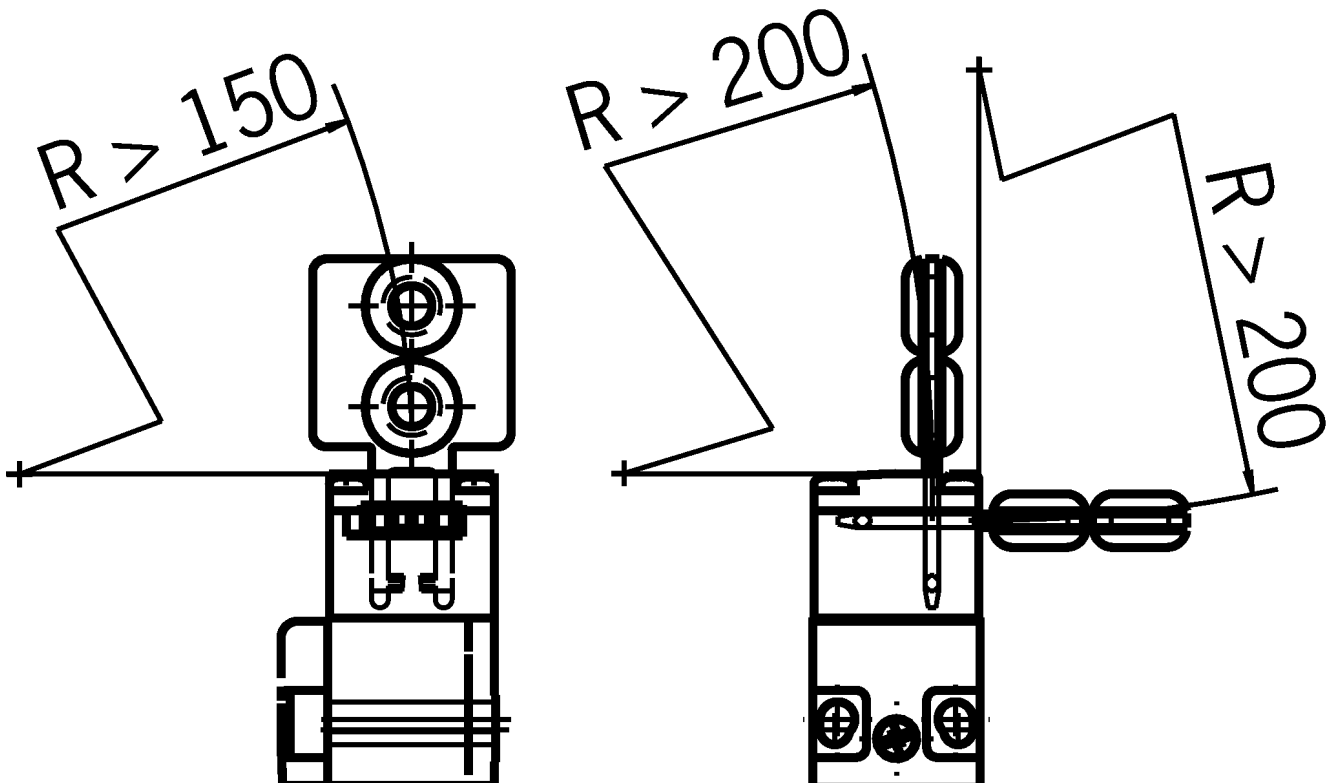
### Straight actuator

The straight actuator is used on sliding doors or hinged doors with door radii greater than 150 mm. Safety screws prevent unscrewing of the actuators.

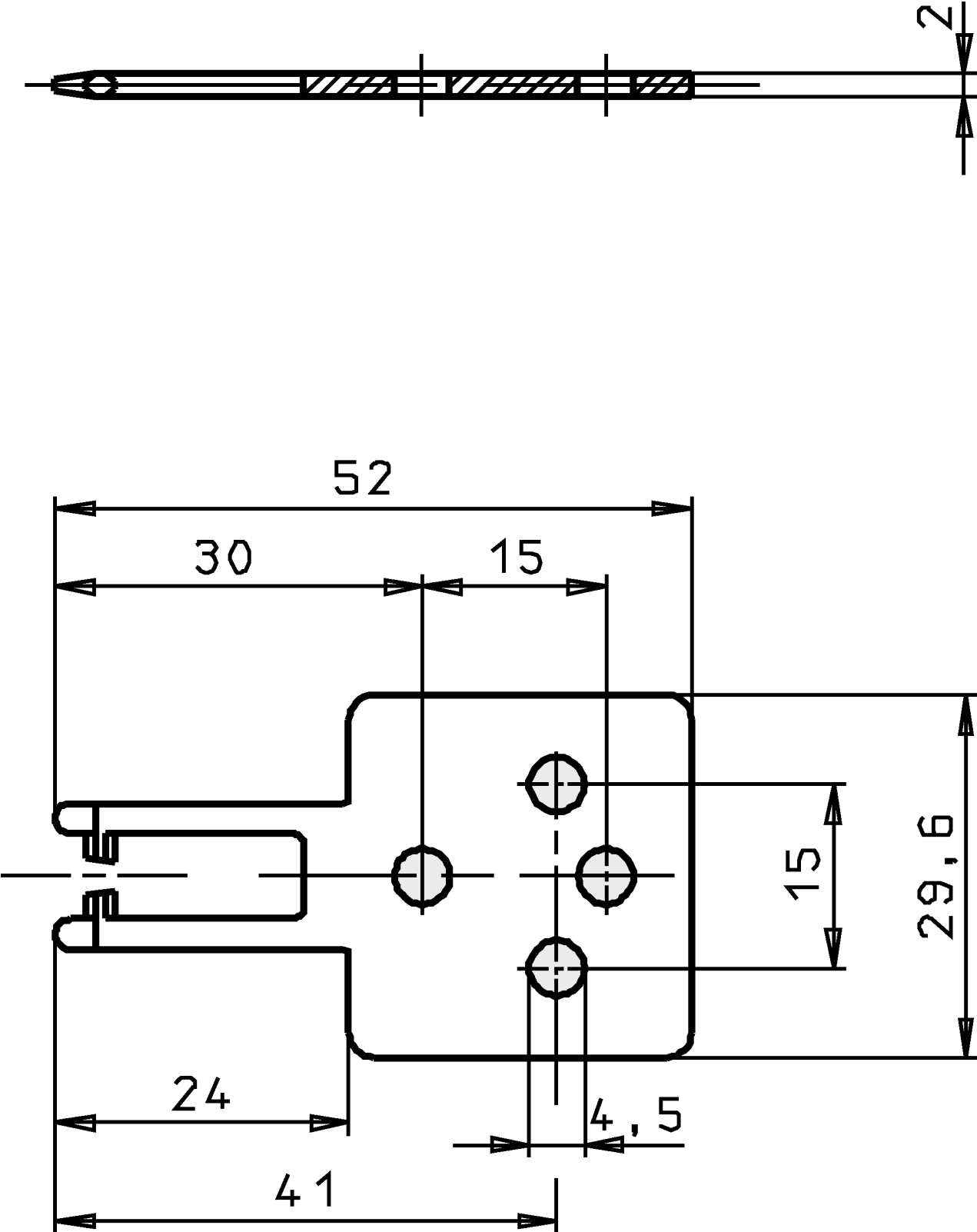
### Screws made of stainless steel

The safety screws included can be inserted with a normal tool, but cannot be removed again.

### Dimensional drawings



Dimensional drawings



## Technical data

### Mechanical values and environment

Overtravel	max. 4 mm
Door radius	min. 150 mm
Material	
Actuator	Stainless steel
Screw	Stainless steel

### Miscellaneous

Usability of insertion funnel	yes
-------------------------------	-----

## Downloads

All documentation for this material can be found on our website:

<https://www.euchner.de/en-us/a/074076/?#downloads-tab>

**Ordering data**

Ordernumber	074076
Item designation	BETAETIGER-M-G
Gross weight	0,02kg
Customs tariff number	85389099990
ECLASS	27-27-26-06 Actuator for safety-related position switch

## Accessories

### Mounting accessories

#### Safety screws M4 x 14

**074063**

M4X14-NIRO/V100

- ▶ Safety screws M4 x 14
- ▶ Screw head diameter: 10 mm
- ▶ Packaging unit 100 pieces

#### Safety screws M4 x 14, large head

**086232**

M4X14-NIRO/V100

- ▶ Safety screws M4 x 14 (large head)
- ▶ Packaging unit 100 pieces